

# PARTS LIST

[ KD-S6350 ]

\* All printed circuit boards and its assemblies are not available as service parts.

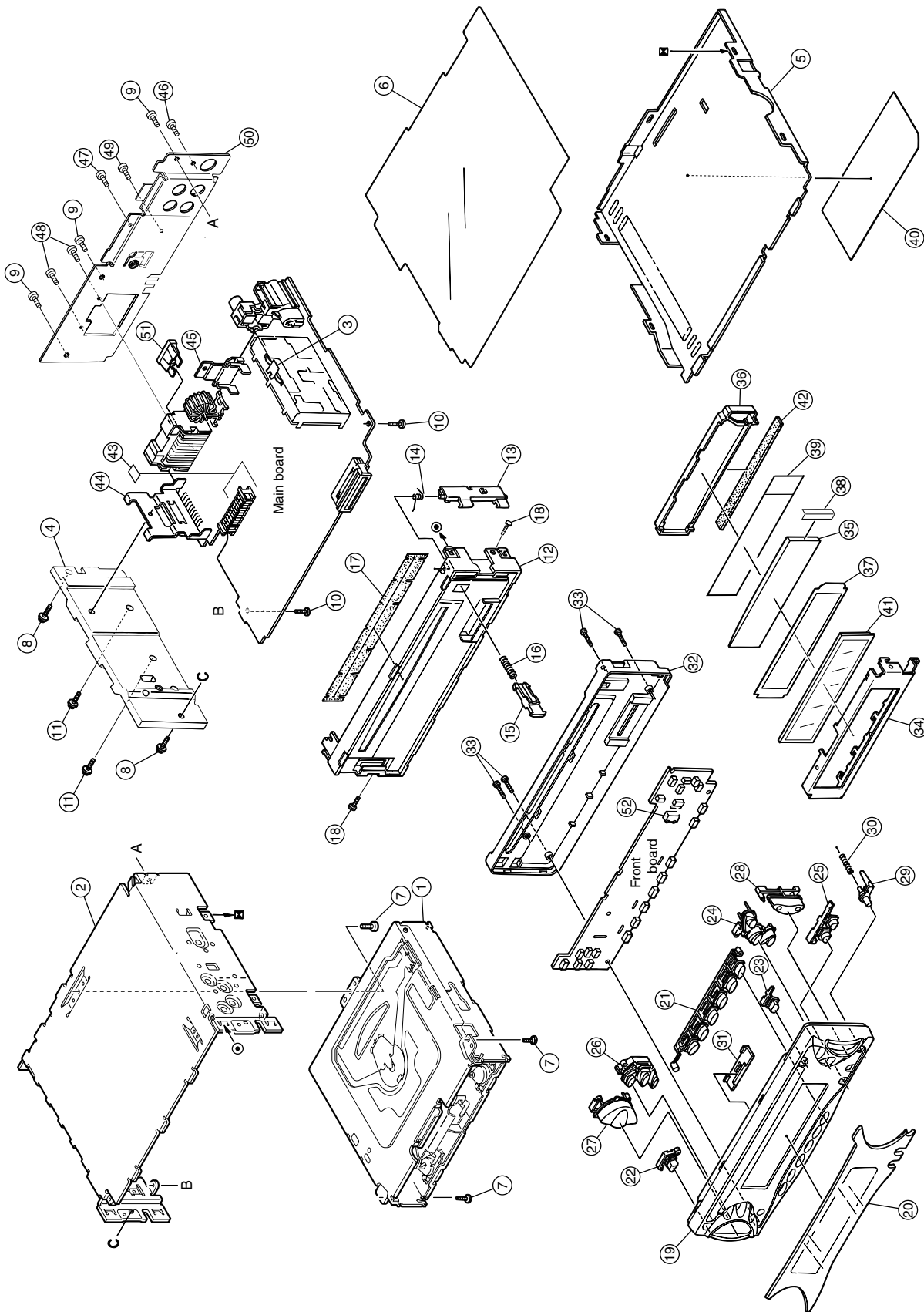
<p>Area suffix</p> <p>J ----- Northern America</p>
--

- Contents -

Exploded view of general assembly and parts list (Block No.M1) .....	3- 2
CD mechanism assembly and parts list (Block No.MB) .....	3- 4
Electrical parts list (Block No.01~02) .....	3- 7
Packing materials and accessories parts list (Block No.M3,M5) .....	3-12

# Exploded view of general assembly and parts list

Block No. M 1 M M



## ■ Parts list (General assembly)

Block No. M1MM

△	Item	Parts number	Parts name	Q'ty	Description	Area
	1	-----	CD MECHA	1		
	2	GE10043-205A	TOP CHASSIS	1		
	3	GE40135-001A	EARTH PLATE	1		
	4	GE30568-006A	HEAT SINK	1		
	5	GE30393-002A	BOTTOM COVER	1		
	6	FSMA3004-203	INSULATOR	1		
	7	QYSDST2604Z	SCREW	3	CHASSIS+CD MECH	
	8	FSKZ4005-001	SCREW	2	CHASSIS+SIDE PA	
	9	QYSDST2604Z	SCREW	3	CHASSIS+REAR BK	
	10	QYSDST2606Z	SCREW	2	CHASSIS+MAIN PW	
	11	QYSDST2612Z	SCREW	2	SIDE PANEL+IC B	
	12	GE10056-002A	FRONT CHASSIS	1		
	13	GE30583-001A	LOCK LEVER	1		
	14	FSKW4005-003	TORSION SPRING	1	FOR LOCK LEVEL	
	15	FSXP3026-002	RLS KNOB	1		
	16	FSKW3002-015	COMP.SPRING	1		
	17	GE40140-001A	BLIND	1		
	18	QYSDST2004M	SCREW	2		
	19	GE10037-003A	FRONT PANEL	1		
	20	GE30300-023A	FINDER ASSY	1		
	21	GE20119-001A	PRESET BUTTON	1	1-6	
	22	GE30304-001A	POWER BUTTON	1		
	23	GE30305-001A	EJECT BUTTON	1		
	24	GE20131-002A	D.FUNC BUTTON	1	FM/CD/AM	
	25	GE30307-001A	SND FTN BUTTON	1		
	26	GE20130-002A	PUSH BUTTON	1	UD,MO/RND	
	27	GE20118-002A	+/- BUTTON	1		
	28	GE20120-001A	UP/DOWN BUTTON	1		
	29	GE30306-001A	DETACH BUTTON	1		
	30	FSKW3002-012	COMP. SPRING	1	FOR DETACH BUTT	
	31	GE30117-001A	LIGHT LENS	1		
	32	GE10055-002A	REAR COVER	1		
	33	VKZ4777-001	MINI SCREW	4	FRONT+REAR	
	34	GE30302-001A	LCD CASE	1		
	35	FSJK3025-001	LCD LENS	1		
	36	GE30301-001A	LENS CASE	1		
	37	GE40142-005A	LIGHTING SHEET	1		
	38	FSYH4071-002	LIGHTING SHEET	1		
	39	FSYH4070-005	LIGHTING SHEET	1		
	40	GE30657-001A	NAME PLATE	1		
	41	QLD0255-001	LCD MODULE	1		
	42	QNZ0442-001	LCD CONNECTOR	1		
	43	VYSH101-009	SPACER	2		
	44	GE40136-001A	IC BRACKET	1	FOR 45W IC	
	45	GE40124-001A	REG BRACKET	1		
	46	QYSDST2606Z	SCREW	1		
	47	QYSDSF2606Z	SCREW	1		
	48	QYSDSF2606Z	SCREW	2		
	49	QYSDST2606Z	SCREW	1	REG BRACKET	
	50	GE30382-019A	REAR BRACKET	1		
△	51	QMFZ047-150-T	FUSE	1		
	52	GE30854-001A	LED HOLDER	1		

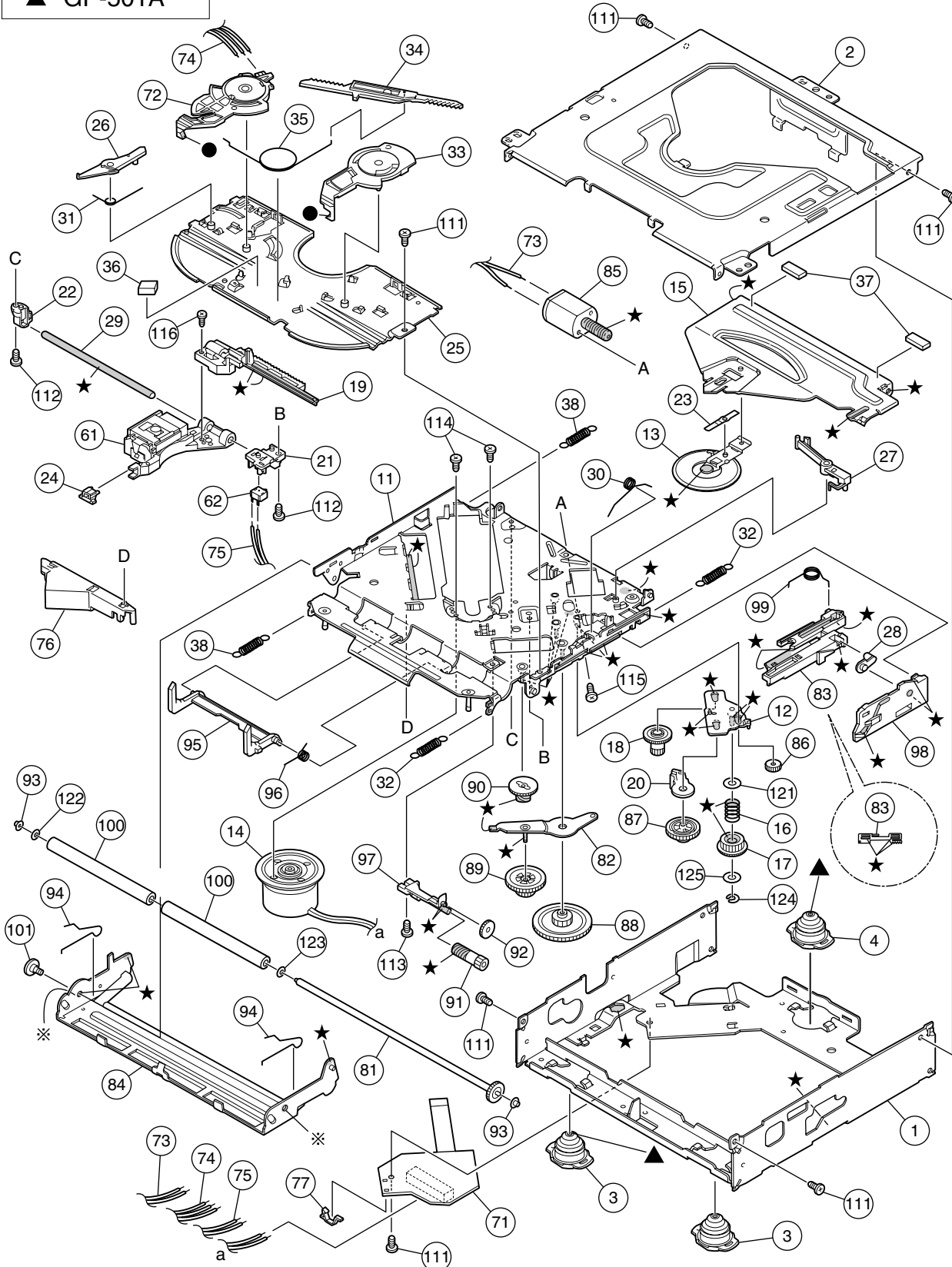
# CD mechanism assembly and parts list

Block No. M B M M

TN-2001-1011

**Grease**

- ★ TNG-87
- ※ GP-501MK
- CFD-005Z
- ▲ GP-501A



## ■ Parts list (CD mechanism)

Block No. MBMM

△	Item	Parts number	Parts name	Q'ty	Description	Area
	1	30320101T	FRAME	1		
	2	30320102T	TOP COVER	1		
	3	30320115T	DANPER F	2		
	4	30320116T	DANPER R	1		
	11	303205505T	CHASSIS RIVET	1		
	12	303205503T	CHANGE P. RVT A	1		
	13	303205301T	CLAMPER ASS'Y	1		
	14	303205302T	SPINDLE MOTOR A	1	MDN-3BL3LSBS	
	15	30320502T	CLAMPER ARM	1		
	16	30320503T	CHANGE GEAR SPG	1		
	17	30320505T	CHANGE GEAR 2	1		
	18	30320506T	FEED GEAR	1		
	19	30320507T	FEED RACK	1		
	20	30320509T	CHANGE LOCK RAR	1		
	21	30320510T	FEED SW HOLDER	1		
	22	30320511T	PU SHAFT HOLDER	1		
	23	30320513T	CLAMPER SUB SPG	1		
	24	30320514T	FD SUB HOLDER	1		
	25	30320518T	TOP PLATE	1		
	26	30320519T	SELECT LOCK ARM	1		
	27	30320520T	TRIGGER ARM	1		
	28	30320521T	SLIDE HOOK	1		
	29	30320522T	PU SHAFT	1		
	30	30320525T	CLAMPER ARM SPG	1		
	31	30320526T	SELECT L ARM SP	1		
	32	30320538T	SUSPENSION SP R	1		
	33	30320529T	SELECT ARM R	1		
	34	30320530T	LINK PLATE	1		
	35	30320531T	LINK PLATE SPG	1		
	36	30320523T	CUSHION F	1		
	37	30320524T	CUSHION R	2		
	38	30320539T	SUSPENSION SP L	2		
	61	69011614T	PICKUP OPT-725	1		
	62	64180406T	DET SW ESE22	1	ESE22MH56	
	71	303210301T	CONN PWB ASS'Y	1		
	72	30321002T	MODE SW	1	MMS000690ZMB0	
	73	30321003T	LOAD MOTOR WIRE	1		
	74	30321005T	MODE SW WIRE	1		
	75	30321009T	SL WIRE	1		
	76	30321011T	WIRE HOLDER	1		
	77	19501403T	WIRE CLAMPER	1		
	81	303211301T	ROLLER SHAFT AS	1		
	82	303211501T	L GEAR PLATE RV	1		
	83	303211302T	LOADING PLATE A	1		
	84	303211502T	LOCK ARM RV ASS	1		
	85	303211303T	L/F MOTOR ASS'Y	1	FF030PK-10180	
	86	30321101T	LOADING GEAR 1	1		
	87	30321102T	LOADING GEAR 2	1		

## ■ Parts list (CD mechanism)

Block No. MBMM

△	Item	Parts number	Parts name	Q'ty	Description	Area
	88	30321103T	LOADING GEAR 3	1		
	89	30321104T	LOADING GEAR 4	1		
	90	30321105T	LOADING GEAR 5	1		
	91	30321106T	LOADING GEAR 6	1		
	92	30321107T	LOADING GEAR 7	1		
	93	30321111T	ROLLER GUIDE	2		
	94	30321114T	ROLLER GUIDE SP	2		
	95	30321116T	DISC STOPPER AR	1		
	96	30321117T	DISC ST ARM SPG	1		
	97	30321118T	LD GEAR BRACKET	1		
	98	30321125T	L SIDE PLATE	1		
	99	30321131T	LOAD PLATE SPG	1		
	100	30321133T	LDG ROLLER	2		
	101	18211223T	COLLAR SCREW	1		
	111	9P0420031T	SCREW M2X3	6	TAP 2X3	
	112	9P0420041T	SCREW(M2 X 4)	2	TAP 2X4	
	113	9B0320041T	SCREW(M2 X 4)	1	BIND 2X4	
	114	9C0117183T	SCREW	2	SCR M1.7X1.8	
	115	9C0120203T	SCREW	1	SCR M2X2	
	116	9C0317503T	SCREW	1	T SCR M1.7X5	
	121	9W0130170T	PW 3.5X8X0.3	1		
	122	9W0513060T	HL WASHER	1	HLW1.85X5X0.13	
	123	9W0710070T	L WASHER	1	LW3.1X6X0.1	
	124	9E0100152T	E RING	1	S 1.5	
	125	9W0113020T	PW 2.1X4X0.13	1		

■ Electrical parts list (Main board) Block No. 01

△	Item	Parts number	Parts name	Remarks	Area	△	Item	Parts number	Parts name	Remarks	Area
	C 101	QERF1HM-105Z	E CAPACITOR	1.0MF 20% 50V			C 520	NDC31HJ-470X	C CAPACITOR		
	C 151	NCB31HK-102X	C CAPACITOR				C 521	NDC31HJ-561X	CER.CAPACITOR-M		
	C 152	QEKJ1EM-475Z	E CAPACITOR	4.7MF 20% 25V			C 522	NCB31HK-223X	C CAPACITOR		
	C 153	NDC31HJ-151X	C CAPACITOR				C 523	NCB31HK-223X	C CAPACITOR		
	C 155	QEKJ0JM-476Z	E CAPACITOR	47MF 20% 6.3V			C 526	NDC31HJ-3R0X	C CAPACITOR		
	C 201	QERF1HM-105Z	E CAPACITOR	1.0MF 20% 50V			C 527	NCB31EK-223X	C CAPACITOR		
	C 251	NCB31HK-102X	C CAPACITOR				C 528	NCB31HK-182X	C CAPACITOR		
	C 252	QERF1EM-475Z	E CAPACITOR	4.7MF 20% 25V			C 529	NCB31HK-122X	C CAPACITOR		
	C 253	NDC31HJ-151X	C CAPACITOR				C 530	NDC31HJ-680X	C CAPACITOR		
	C 255	QERF0JM-476Z	E CAPACITOR	47MF 20% 6.3V			C 540	NCS31HJ-680X	C CAPACITOR		
	C 256	QERF1AM-107Z	E CAPACITOR	100MF 20% 10V			C 541	QERF1CM-226Z	E CAPACITOR	22MF 20% 16V	
	C 302	NCB31HK-822X	C CAPACITOR				C 542	NCB31HK-332X	C CAPACITOR		
	C 303	NCB21CK-184X	C CAPACITOR				C 543	NCB31EK-333X	C CAPACITOR		
	C 304	NCB21CK-224X	C CAPACITOR				C 551	QERF1AM-227Z	E CAPACITOR	220MF 20% 10V	
	C 305	NCB21HK-333X	C CAPACITOR				C 552	NCB31EK-103X	C CAPACITOR		
	C 306	NCB31HK-562X	C CAPACITOR				C 555	NCB31EK-473X	C CAPACITOR		
	C 307	QERF1EM-475Z	E CAPACITOR	4.7MF 20% 25V			C 556	NCB31EK-473X	C CAPACITOR		
	C 308	QERF1EM-475Z	E CAPACITOR	4.7MF 20% 25V			C 557	NCB31EK-473X	C CAPACITOR		
	C 309	QEKJ1AM-107Z	E CAPACITOR	100MF 20% 10V			C 558	NCB31EK-473X	C CAPACITOR		
	C 310	NCB31HK-103X	C CAPACITOR				C 561	NCB31EK-103X	C CAPACITOR		
	C 311	QEKJ1AM-107Z	E CAPACITOR	100MF 20% 10V			C 562	NCB31EK-103X	C CAPACITOR		
	C 312	QEKJ1CM-476Z	E CAPACITOR	47MF 20% 16V			C 563	NCB31HK-102X	C CAPACITOR		
	C 319	NDC31HJ-221X	C CAPACITOR				C 564	NCB21CK-274X	C CAPACITOR		
	C 320	NDC31HJ-221X	C CAPACITOR				C 565	NCB31EK-104X	C CAPACITOR		
	C 321	QERF1CM-107Z	E CAPACITOR	100MF 20% 16V			C 566	NCB31AK-474X	C CAPACITOR		
	C 327	QEKJ1EM-475Z	E CAPACITOR	4.7MF 20% 25V			C 567	QERF1AM-107Z	E CAPACITOR	100MF 20% 10V	
	C 328	QEKJ1CM-476Z	E CAPACITOR	47MF 20% 16V			C 568	NCB31EK-103X	C CAPACITOR		
	C 329	QEKJ1EM-475Z	E CAPACITOR	4.7MF 20% 25V			C 571	NCB31EK-103X	C CAPACITOR		
	C 330	NCB31HK-223X	C CAPACITOR				C 572	QEKJ1AM-107Z	E CAPACITOR	100MF 20% 10V	
	C 331	NCB31HK-223X	C CAPACITOR				C 573	QERF1AM-227Z	E CAPACITOR	220MF 20% 10V	
	C 332	NCB31EK-104X	C CAPACITOR				C 574	NCB31EK-103X	C CAPACITOR		
	C 333	NCB31EK-104X	C CAPACITOR				C 576	NCB31HK-152X	C CAPACITOR		
	C 334	QERF1HM-105Z	E CAPACITOR	1.0MF 20% 50V			C 577	NCB31EK-104X	C CAPACITOR		
	C 335	QERF1HM-105Z	E CAPACITOR	1.0MF 20% 50V			C 579	NCB31HK-102X	C CAPACITOR		
	C 402	NCB31HK-822X	C CAPACITOR				C 701	QERF1AM-476Z	E CAPACITOR	47MF 20% 10V	
	C 403	NCB21CK-184X	C CAPACITOR				C 702	QEKJ1HM-104Z	E CAPACITOR	.10MF 20% 50V	
	C 404	NCB21CK-224X	C CAPACITOR				C 703	QERF1HM-104Z	E CAPACITOR	.10MF 20% 50V	
	C 405	NCB21HK-333X	C CAPACITOR				C 709	NCB31EK-333X	C CAPACITOR		
	C 406	NCB31HK-562X	C CAPACITOR				C 710	NCB31EK-333X	C CAPACITOR		
	C 407	QERF1EM-475Z	E CAPACITOR	4.7MF 20% 25V			C 711	NCB31EK-103X	C CAPACITOR		
	C 408	QERF1EM-475Z	E CAPACITOR	4.7MF 20% 25V			C 712	QEKJ1HM-104Z	E CAPACITOR	.10MF 20% 50V	
	C 419	NDC31HJ-221X	C CAPACITOR				C 714	NCS31HJ-121X	C CAPACITOR		
	C 420	NDC31HJ-221X	C CAPACITOR				C 717	NDC31HJ-221X	C CAPACITOR		
	C 427	QEKJ1CM-226Z	E CAPACITOR	22MF 20% 16V			C 718	NCB31EK-223X	C CAPACITOR		
	C 432	NCB31EK-104X	C CAPACITOR				C 720	QERF1AM-227Z	E CAPACITOR	220MF 20% 10V	
	C 433	NCB31EK-104X	C CAPACITOR				C 725	NCB31EK-103X	C CAPACITOR		
	C 434	QERF1HM-105Z	E CAPACITOR	1.0MF 20% 50V			C 731	QERF1HM-225Z	E CAPACITOR	2.2MF 20% 50V	
	C 435	QERF1HM-105Z	E CAPACITOR	1.0MF 20% 50V			C 732	NCB31HK-102X	C CAPACITOR		
	C 501	NCB31EK-103X	C CAPACITOR				C 733	QERF1AM-227Z	E CAPACITOR	220MF 20% 10V	
	C 502	QEKJ1AM-107Z	E CAPACITOR	100MF 20% 10V			C 801	QEKJ0JM-227Z	E CAPACITOR	220MF 20% 6.3V	
	C 503	NCS31HJ-680X	C CAPACITOR				C 802	NCB31EK-103X	C CAPACITOR		
	C 504	QEKJ1AM-107Z	E CAPACITOR	100MF 20% 10V			C 803	NDC31HJ-220X	C CAPACITOR		
	C 505	NCB31EK-103X	C CAPACITOR				C 804	NDC31HJ-330X	C CAPACITOR		
	C 506	NDC31HJ-151X	C CAPACITOR				C 807	QERF1CM-106Z	E CAPACITOR	10MF 20% 16V	
	C 507	NCB31EK-104X	C CAPACITOR				C 821	NCB31EK-104X	C CAPACITOR		
	C 508	QEKJ1HM-105Z	E CAPACITOR	1.0MF 20% 50V			C 822	NCB31EK-104X	C CAPACITOR		
	C 509	NDC31HJ-101X	C.CAPACITOR				C 823	NCB31EK-104X	C CAPACITOR		
	C 510	NCB31EK-273X	C CAPACITOR				C 824	NCB31HK-221X	C CAPACITOR		
	C 511	NCB31HK-472X	C CAPACITOR				C 861	QEKJ0JM-227Z	E CAPACITOR	220MF 20% 6.3V	
	C 512	NCB31HK-103X	C CAPACITOR				C 862	NCB31EK-823X	C CAPACITOR		
	C 513	NDC31HJ-331X	C CAPACITOR				C 901	QEZ0615-228	E CAPACITOR	2200MF	
	C 514	NCB31EK-104X	C CAPACITOR				C 902	NCB31HK-103X	C CAPACITOR		
	C 515	NCB31EK-103X	C CAPACITOR				C 903	QEKJ1CM-226Z	E CAPACITOR	22MF 20% 16V	
	C 516	QEKJ1AM-107Z	E CAPACITOR	100MF 20% 10V			C 904	QERF1CM-226Z	E CAPACITOR	22MF 20% 16V	
	C 518	NCB31AK-224X	C CAPACITOR				C 905	QERF1CM-226Z	E CAPACITOR	22MF 20% 16V	
	C 519	NCB31EK-473X	C CAPACITOR				C 906	NCB31EK-104X	C CAPACITOR		

■ Electrical parts list (Main board)

Block No. 01

△	Item	Parts number	Parts name	Remarks	Area
	C 907	NCB31HK-103X	C CAPACITOR		
	C 908	QERF1AM-107Z	E CAPACITOR	100MF 20% 10V	
	C 909	QERF1AM-107Z	E CAPACITOR	100MF 20% 10V	
	C 910	NCB31HK-103X	C CAPACITOR		
	C 911	QERF1AM-227Z	E CAPACITOR	220MF 20% 10V	
	C 914	NCB31EK-104X	C CAPACITOR		
	C 915	NCB11CK-225X	C CAPACITOR		
	C 916	QERF1HM-225Z	E CAPACITOR	2.2MF 20% 50V	
	CJ321	QNN0533-001	PIN JACK	GOLD	
	CJ701	QNB0100-002	ANT TERMINAL		
	CN501	QGB2027M4-22S	CONNECTOR		
	CN801	VMC0334-001	CONNECTOR		
	CN901	QNZ0611-001	CAR CONNECTOR		
	D 321	1SS133-T2	SI DIODE		
	D 332	1SS355-X	DIODE		
	D 333	1SS355-X	DIODE		
	D 551	1A3G-T1	SI DIODE		
	D 701	1SS133-T2	SI DIODE		
	D 702	1SS133-T2	SI DIODE		
	D 731	MTZJ10B-T2	ZENER DIODE		
	D 791	1SS355-X	DIODE		
	D 792	1SS355-X	DIODE		
	D 810	1SS355-X	DIODE		
	D 821	UDZS6.2B-X	SI DIODE		
	D 822	UDZS6.2B-X	SI DIODE		
	D 823	UDZS6.2B-X	SI DIODE		
	D 824	UDZS6.2B-X	SI DIODE		
	D 825	UDZS6.2B-X	SI DIODE		
	D 826	UDZS6.2B-X	SI DIODE		
	D 827	UDZS6.2B-X	SI DIODE		
	D 828	UDZS6.2B-X	SI DIODE		
	D 861	MTZJ4.7B-T2	Z DIODE		
	D 866	1SS355-X	DIODE		
	D 867	1SS355-X	DIODE		
	D 868	1SS355-X	DIODE		
	D 869	1SS355-X	DIODE		
	D 901	1N5401-F64	DIODE		
	D 903	1SS133-T2	SI DIODE		
	D 904	RB160M-30-X	SB DIODE		
	D 905	RB160M-30-X	SB DIODE		
	IC151	NJM4565M-WE	IC		
	IC301	TEA6320T-X	IC		
	IC321	LA4743K	IC		
	IC501	AN8806SB-W	IC		
	IC541	LA6589H-X	IC		
	IC561	MN6627482WA	IC		
	IC801	JES01-9B42	I.C(MONO-OTHER)		
	IC901	HA13164A	IC		
	L 501	QQL231K-4R7Y	INDUCTOR		
	L 561	QQL231K-4R7Y	INDUCTOR		
	L 562	QQL231K-4R7Y	INDUCTOR		
	L 701	QQL231K-4R7Y	INDUCTOR		
	L 801	QQL231K-4R7Y	INDUCTOR		
	L 901	QQR0703-001	CHOKO COIL		
	Q 321	UN2211-X	TRANSISTOR		
	Q 332	2SD1781K/QR/-X	TRANSISTOR		
	Q 432	2SD1781K/QR/-X	TRANSISTOR		
	Q 501	2SA1706/ST/-T	TRANSISTOR		
	Q 541	2SA1706/ST/-T	TRANSISTOR		
	Q 701	UN2211-X	TRANSISTOR		
	Q 731	2SC1623/5-6/-X	TRANSISTOR		
	Q 732	2SC1623/5-6/-X	TRANSISTOR		
	Q 791	2SB1197K/QR/-X	TRANSISTOR		
	Q 792	2SA812/5-6/-X	TRANSISTOR		
	Q 793	UN2211-X	TRANSISTOR		
	Q 861	UN2111-X	TRANSISTOR		

△	Item	Parts number	Parts name	Remarks	Area
	Q 902	2SC1623/5-6/-X	TRANSISTOR		
	Q 903	2SA812/5-6/-X	TRANSISTOR		
	R 101	NRSA63J-272X	MG RESISTOR		
	R 102	NRSA63J-512X	MG RESISTOR		
	R 151	NRSA63J-183X	MG RESISTOR		
	R 152	NRSA63J-123X	MG RESISTOR		
	R 153	NRSA63J-273X	MG RESISTOR		
	R 154	NRSA63J-223X	MG RESISTOR		
	R 155	NRSA63J-152X	MG RESISTOR		
	R 156	NRS181J-223X	MG RESISTOR		
	R 201	NRSA63J-272X	MG RESISTOR		
	R 202	NRSA63J-512X	MG RESISTOR		
	R 251	NRSA63J-183X	MG RESISTOR		
	R 252	NRSA63J-123X	MG RESISTOR		
	R 253	NRSA63J-273X	MG RESISTOR		
	R 254	NRSA63J-223X	MG RESISTOR		
	R 255	NRSA63J-152X	MG RESISTOR		
	R 256	NRS181J-223X	MG RESISTOR		
	R 301	NRSA63J-223X	MG RESISTOR		
	R 302	NRSA63J-222X	MG RESISTOR		
	R 303	NRSA63J-473X	MG RESISTOR		
	R 304	NRSA63J-473X	MG RESISTOR		
	R 307	NRSA63J-273X	MG RESISTOR		
	R 308	NRSA63J-273X	MG RESISTOR		
	R 321	NRSA63J-473X	MG RESISTOR		
	R 322	NRSA63J-471X	MG RESISTOR		
	R 323	NRSA63J-102X	MG RESISTOR		
	R 333	NRSA63J-102X	MG RESISTOR		
	R 334	NRSA63J-101X	MG RESISTOR		
	R 336	NRSA63J-222X	MG RESISTOR		
	R 401	NRSA63J-223X	MG RESISTOR		
	R 402	NRSA63J-222X	MG RESISTOR		
	R 403	NRSA63J-473X	MG RESISTOR		
	R 404	NRSA63J-473X	MG RESISTOR		
	R 407	NRSA63J-273X	MG RESISTOR		
	R 408	NRSA63J-273X	MG RESISTOR		
	R 433	NRSA63J-102X	MG RESISTOR		
	R 434	NRSA63J-101X	MG RESISTOR		
	R 436	NRSA63J-222X	MG RESISTOR		
	R 501	NRSA02J-220X	MG RESISTOR		
	R 502	NRSA02J-220X	MG RESISTOR		
	R 503	NRS181J-102X	MG RESISTOR		
	R 504	NRSA63J-202X	MG RESISTOR		
	R 505	NRSA63J-224X	MG RESISTOR		
	R 506	NRSA63J-223X	MG RESISTOR		
	R 507	NRSA63J-822X	MG RESISTOR		
	R 508	NRSA63J-393X	MG RESISTOR		
	R 509	NRSA63J-153X	MG RESISTOR		
	R 510	NRSA63J-154X	MG RESISTOR		
	R 511	NRSA63J-274X	MG RESISTOR		
	R 512	NRSA63J-563X	MG RESISTOR		
	R 513	NRSA63J-563X	MG RESISTOR		
	R 516	NRSA63J-123X	MG RESISTOR		
	R 517	NRSA63J-123X	MG RESISTOR		
	R 518	NRSA63J-822X	MG RESISTOR		
	R 519	NRSA63J-105X	MG RESISTOR		
	R 524	NRSA63J-202X	MG RESISTOR		
	R 525	NRS181J-911X	MG RESISTOR		
	R 541	NRS181J-682X	MG RESISTOR		
	R 542	NRSA63J-561X	MG RESISTOR		
	R 543	NRSA63J-473X	MG RESISTOR		
	R 544	NRSA63J-512X	MG RESISTOR		
	R 545	NRSA63J-332X	MG RESISTOR		
	R 546	NRSA63J-123X	MG RESISTOR		
	R 547	NRSA63J-224X	MG RESISTOR		
	R 548	NRSA63J-562X	MG RESISTOR		



■ Electrical parts list (Main board)

Block No. 01

△	Item	Parts number	Parts name	Remarks	Area
	R 550	NRSA63J-113X	MG RESISTOR		
	R 551	NRSA63J-202X	MG RESISTOR		
	R 552	NRSA63J-183X	MG RESISTOR		
	R 553	NRS181J-0R0X	MG RESISTOR		
	R 554	NRS181J-513X	MG RESISTOR		
	R 557	NRSA02J-151X	MG RESISTOR		
	R 560	NRS181J-101X	MG RESISTOR		
	R 561	NRSA63J-102X	MG RESISTOR		
	R 562	NRSA63J-102X	MG RESISTOR		
	R 563	NRSA63J-102X	MG RESISTOR		
	R 564	NRSA63J-102X	MG RESISTOR		
	R 567	NRSA63J-102X	MG RESISTOR		
	R 568	NRSA63J-102X	MG RESISTOR		
	R 569	NRSA63J-102X	MG RESISTOR		
	R 570	NRSA63J-102X	MG RESISTOR		
	R 571	NRS181J-333X	MG RESISTOR		
	R 573	NRSA63J-333X	MG RESISTOR		
	R 574	NRSA63J-221X	MG RESISTOR		
	R 575	NRSA63J-221X	MG RESISTOR		
	R 576	NRSA63J-0R0X	MG RESISTOR		
	R 577	NRSA63J-104X	MG RESISTOR		
	R 579	NRSA63J-102X	MG RESISTOR		
	R 580	NRSA63J-224X	MG RESISTOR		
	R 581	NRSA63J-0R0X	MG RESISTOR		
	R 596	NRSA02J-822X	MG RESISTOR		
	R 701	NRSA63J-102X	MG RESISTOR		
	R 702	NRSA63J-0R0X	MG RESISTOR		
	R 703	NRSA63J-102X	MG RESISTOR		
	R 704	NRSA63J-0R0X	MG RESISTOR		
	R 705	NRSA63J-103X	MG RESISTOR		
	R 708	NRSA63J-822X	MG RESISTOR		
	R 725	NRSA63J-820X	MG RESISTOR		
	R 733	NRSA63J-103X	MG RESISTOR		
	R 734	NRS181J-471X	MG RESISTOR		
	R 735	NRS181J-152X	MG RESISTOR		
	R 736	NRSA63J-102X	MG RESISTOR		
	R 791	NRSA63J-103X	MG RESISTOR		
	R 792	NRSA63J-102X	MG RESISTOR		
	R 793	NRSA63J-103X	MG RESISTOR		
	R 794	NRSA63J-222X	MG RESISTOR		
	R 795	NRS181J-150X	MG RESISTOR		
	R 796	NRS181J-150X	MG RESISTOR		
	R 797	NRS181J-100X	MG RESISTOR		
	R 798	NRSA63J-223X	MG RESISTOR		
	R 801	NRS181J-103X	MG RESISTOR		
	R 803	NRS181J-332X	MG RESISTOR		
	R 804	NRS181J-332X	MG RESISTOR		
	R 805	NRS181J-332X	MG RESISTOR		
	R 807	NRSA63J-473X	MG RESISTOR		
	R 808	NRS181J-102X	MG RESISTOR		
	R 809	NRS181J-103X	MG RESISTOR		
	R 811	NRSA63J-332X	MG RESISTOR		
	R 812	NRSA63J-332X	MG RESISTOR		
	R 813	NRSA63J-473X	MG RESISTOR		
	R 814	NRSA63J-473X	MG RESISTOR		
	R 815	NRSA63J-473X	MG RESISTOR		
	R 817	NRS181J-472X	MG RESISTOR		
	R 822	NRSA63J-222X	MG RESISTOR		
	R 823	NRSA63J-473X	MG RESISTOR		
	R 825	NRS181J-473X	MG RESISTOR		
	R 826	NRSA63J-473X	MG RESISTOR		
	R 827	NRSA63J-473X	MG RESISTOR		
	R 828	NRSA63J-473X	MG RESISTOR		
	R 829	NRS181J-473X	MG RESISTOR		
	R 830	NRS181J-223X	MG RESISTOR		
	R 831	NRS181J-472X	MG RESISTOR		

△	Item	Parts number	Parts name	Remarks	Area
	R 832	NRS181J-223X	MG RESISTOR		
	R 833	NRS181J-472X	MG RESISTOR		
	R 834	NRS181J-223X	MG RESISTOR		
	R 835	NRS181J-472X	MG RESISTOR		
	R 836	NRSA63J-473X	MG RESISTOR		
	R 840	NRSA63J-473X	MG RESISTOR		
	R 841	NRSA63J-473X	MG RESISTOR		
	R 842	NRSA63J-473X	MG RESISTOR		
	R 843	NRSA63J-0R0X	MG RESISTOR		
	R 844	NRSA63J-0R0X	MG RESISTOR		
	R 861	NRS181J-471X	MG RESISTOR		
	R 862	NRS181J-471X	MG RESISTOR		
	R 901	NRSA63J-912X	MG RESISTOR		
	R 902	QRE142J-102X	C RESISTOR	1.0K 5% 1/4W	
	R 903	NRSA63J-472X	MG RESISTOR		
	R 904	NRSA63J-104X	MG RESISTOR		
	R 905	NRSA63J-472X	MG RESISTOR		
	R 906	NRSA63J-472X	MG RESISTOR		
	R 907	NRSA63J-393X	MG RESISTOR		
	R 908	NRSA63J-683X	MG RESISTOR		
	R 909	NRSA63J-273X	MG RESISTOR		
	R 910	NRSA63J-473X	MG RESISTOR		
	R 911	NRS181J-473X	MG RESISTOR		
	TU701	QAU0281-001	TUNER PACK		
	X 561	QAX0714-001Z	C RESONATOR		
	X 801	QAX0406-001Z	CRYSTAL		

■ Electrical parts list (Switch board)

Block No. 02

△	Item	Parts number	Parts name	Remarks	Area
	C 601	NCB31HK-223X	C CAPACITOR		
	C 602	NCS31HJ-681X	C CAPACITOR		
	C 603	NBE20JM-106X	TS E CAP SVB20J		
	C 611	NCB31HK-123X	C CAPACITOR		
	C 612	NBE20JM-475X	TS E CAPACITOR		
	CJ601	VMC0335-001	CONNECTOR		
	D 601	SML-310VT/JK/-X	LED	VOL+ R LED	
	D 602	SML-310VT/JK/-X	LED	VOL- R LED	
	D 603	SML-310VT/JK/-X	LED	LOUD R LED	
	D 604	SML-310VT/JK/-X	LED	SEL R LED	
	D 605	SML-310VT/JK/-X	LED	DISP R LED	
	D 606	SML-310VT/JK/-X	LED	1 R LED	
	D 607	SML-310VT/JK/-X	LED	2 R LED	
	D 608	SML-310VT/JK/-X	LED	3 R LED	
	D 609	SML-310VT/JK/-X	LED	4 R LED	
	D 610	SML-310VT/JK/-X	LED	5 R LED	
	D 611	SML-310VT/JK/-X	LED	6 R LED	
	D 612	SML-310VT/JK/-X	LED	MODE R LED	
	D 613	LT1F67AF-W	LED	SCM G LED	
	D 614	SML-310VT/JK/-X	LED	EJECT R LED	
	D 615	SML-310VT/JK/-X	LED	FM R LED	
	D 616	SML-310VT/JK/-X	LED	CD R LED	
	D 617	SML-310VT/JK/-X	LED	AM R LED	
	D 618	SML-310VT/JK/-X	LED	UP R LED	
	R 639	NRSA02J-391X	MG RESISTOR		
	R 640	NRSA02J-391X	MG RESISTOR		
	R 641	NRSA02J-391X	MG RESISTOR		
	R 642	NRSA02J-681X	MG RESISTOR		
	R 643	NRSA02J-681X	MG RESISTOR		
	R 644	NRSA02J-102X	MG RESISTOR		
	R 645	NRSA02J-102X	MG RESISTOR		
	R 651	NRSA63J-222X	MG RESISTOR		
	R 652	NRSA63J-222X	MG RESISTOR		
	R 653	NRSA63J-103X	MG RESISTOR		
	R 654	NRSA63J-103X	MG RESISTOR		
	R 655	NRSA63J-103X	MG RESISTOR		
	R 656	NRSA63J-103X	MG RESISTOR		
	R 657	NRSA63J-513X	MG RESISTOR		
	R 658	NRSA63J-184X	MG RESISTOR		
	R 661	NRSA63J-103X	MG RESISTOR		
	R 662	NRSA63J-471X	MG RESISTOR		
	R 731	NRS181J-391X	MG RESISTOR		
	R 732	NRS181J-391X	MG RESISTOR		
	S 601	NSW0066-001X	TACT SW		
	S 602	NSW0066-001X	TACT SW		
	S 603	NSW0066-001X	TACT SW		
	S 604	NSW0066-001X	TACT SW		
	S 605	NSW0066-001X	TACT SW		
	S 606	NSW0066-001X	TACT SW		
	S 607	NSW0066-001X	TACT SW		
	S 608	NSW0066-001X	TACT SW		
	S 609	NSW0066-001X	TACT SW		
	S 610	NSW0066-001X	TACT SW		
	S 611	NSW0066-001X	TACT SW		
	S 612	NSW0066-001X	TACT SW		
	S 613	NSW0066-001X	TACT SW		
	S 614	NSW0066-001X	TACT SW		
	S 615	NSW0066-001X	TACT SW		
	S 616	NSW0066-001X	TACT SW		
	S 617	NSW0066-001X	TACT SW		
	S 618	NSW0066-001X	TACT SW		
	S 619	NSW0066-001X	TACT SW		
	S 620	NSW0066-001X	TACT SW		
	D 619	SML-310VT/JK/-X	LED	DOWN R LED	
	D 620	SML-310LT/MN/-X	LED	POWER R LED	
	D 641	UDZS5.6B-X	Z DIODE		

△	Item	Parts number	Parts name	Remarks	Area
	D 643	1SS355-X	DIODE		
	D 644	UDZS6.2B-X	SI DIODE		
	D 645	UDZS6.2B-X	SI DIODE		
	D 731	NSPW310BS/B2RS/	LED	LED	
	D 732	NSPW310BS/B2RS/	LED	LED	
	IC601	PT6523LQ	IC		
	IC602	RPM6938-SV4	IC		
	R 601	NRSA63J-681X	MG RESISTOR		
	R 602	NRSA63J-561X	MG RESISTOR		
	R 603	NRSA63J-681X	MG RESISTOR		
	R 604	NRSA63J-911X	MG RESISTOR		
	R 605	NRSA63J-122X	MG RESISTOR		
	R 606	NRSA63J-681X	MG RESISTOR		
	R 607	NRSA63J-561X	MG RESISTOR		
	R 608	NRSA63J-681X	MG RESISTOR		
	R 609	NRSA63J-911X	MG RESISTOR		
	R 610	NRSA63J-122X	MG RESISTOR		
	R 611	NRSA63J-152X	MG RESISTOR		
	R 612	NRSA63J-681X	MG RESISTOR		
	R 613	NRSA63J-561X	MG RESISTOR		
	R 614	NRSA63J-681X	MG RESISTOR		
	R 615	NRSA63J-911X	MG RESISTOR		
	R 616	NRSA63J-122X	MG RESISTOR		
	R 617	NRSA63J-152X	MG RESISTOR		
	R 631	NRSA02J-821X	MG RESISTOR		
	R 632	NRSA02J-222X	MG RESISTOR		
	R 633	NRSA02J-222X	MG RESISTOR		
	R 634	NRSA02J-102X	MG RESISTOR		
	R 635	NRSA02J-102X	MG RESISTOR		
	R 636	NRSA02J-122X	MG RESISTOR		
	R 637	NRSA02J-122X	MG RESISTOR		
	R 638	NRSA02J-391X	MG RESISTOR		

< M E M O >

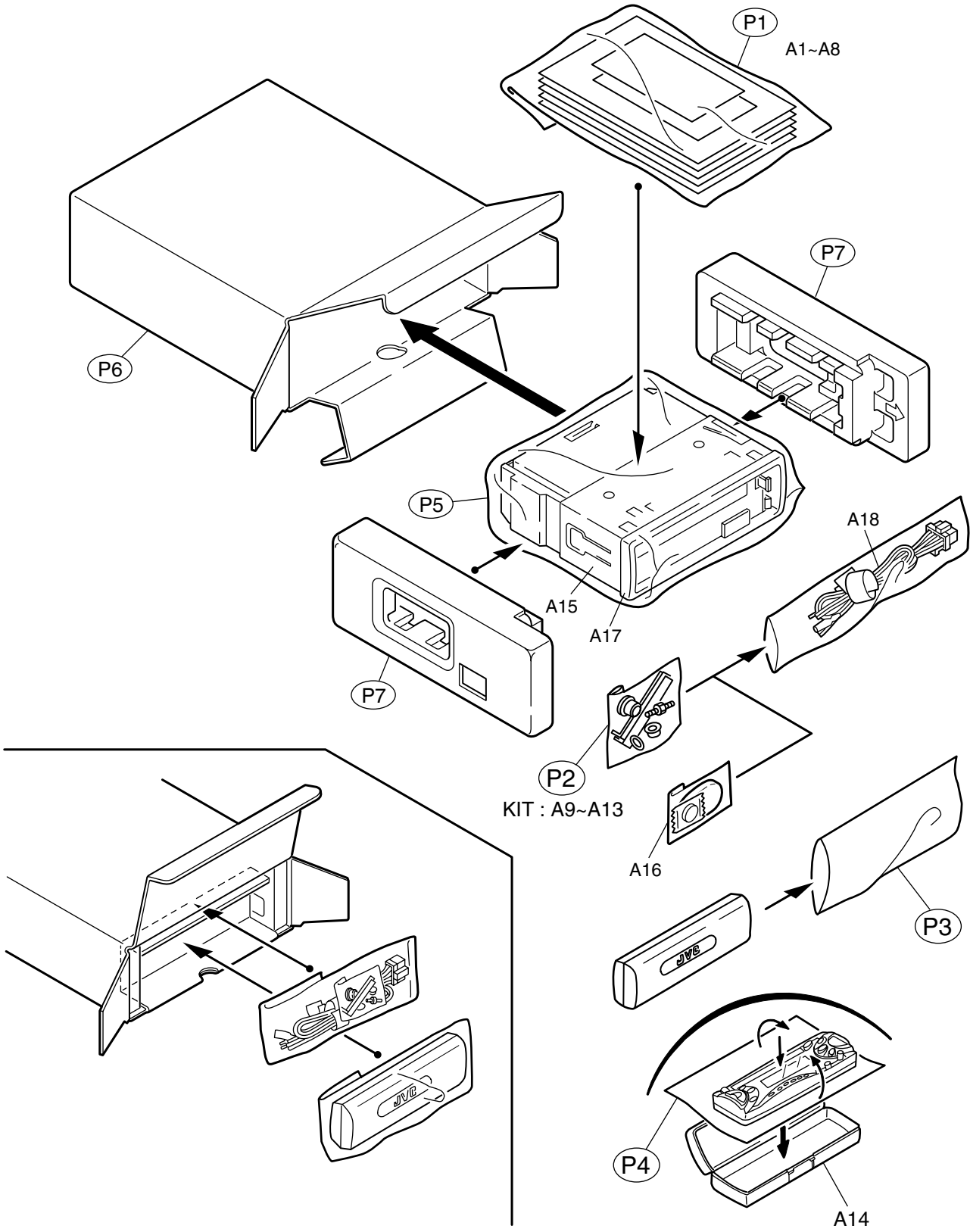
# Packing materials and accessories parts list

Block No. 

M	3	M	M
---	---	---	---

Block No. 

M	5	M	M
---	---	---	---



**■ Parts list (Packing)**

Block No. M3MM

△	Item	Parts number	Parts name	Q'ty	Description	Area
	P 1	FSPG4002-001	POLY BAG	1	INST.BOOK	
	P 2	QPA00801205	POLY BAG	1		
	P 3	QPA01003003	POLY BAG	1	FOR HARD CASE	
	P 4	FSYH4036-068	SHEET	1		
	P 5	QPC03004315P	POLY BAG	1	SET(260X440X0.0	
	P 6	GE30658-002A	CARTON	1	.	
	P 7	GE10036-001A	ESP CUSHION	2		

**■ Parts list (Accessories)**

Block No. M5MM

△	Item	Parts number	Parts name	Q'ty	Description	Area
	A 1	GET0116-001A	INST.BOOK	1	ENG,FRE,SPA	
	A 2	GET0116-002A	INSTALL MANUAL	1	ENG,FRE,SPA	
	A 3	GET0093-001A	CAUTION SHEET	1		
	A 4	LVT0717-001B	TROUBLE SHEET(C	1		
	A 5	BT-51029-1	WARRANTY CARD	1	FOR USA ONLY	
	A 6	BT-52006-2	WARRANTY CARD	1	FOR CANADA ONLY	
	A 7	BT-51028-2	J=REGIST CARD	1	FOR USA ONLY	
	A 8	BT-20071B	JVC CENTER LIST	1	FOR CANADA ONLY	
	A 9	VKZ4027-202	PLUG NUT	1		
	A 10	VKH4871-001SS	MOUNT BOLT	1		
	A 11	VKZ4328-001	LOCK NUT	1	FOR M5	
	A 12	WNS5000Z	WASHER	1		
	A 13	GE40130-001A	HOOK	2		
	A 14	FSJB3001-30C	HARD CASE	1		
	A 15	GE20137-003A	MOUNTING SLEEVE	1		
	A 16	RM-RK60	REMOCON	1		
	A 17	GE20135-003A	TRIM PLATE	1		
	A 18	QAM0013-006	16P CORD ASS'Y	1		
	K I T	KDGS717K-SCREW1	SCREW PARTS KIT	1	A9~A13	

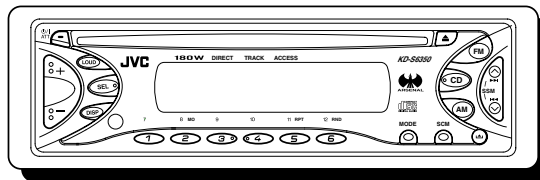
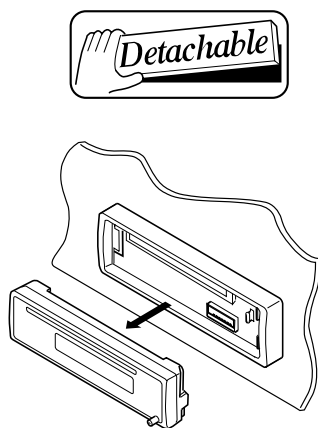
# JVC

# SCHEMATIC DIAGRAMS

## CD RECEIVER

# KD-S6350

CD-ROM No.SML200301





**Area Suffix**  
J ..... Northern America

### Contents

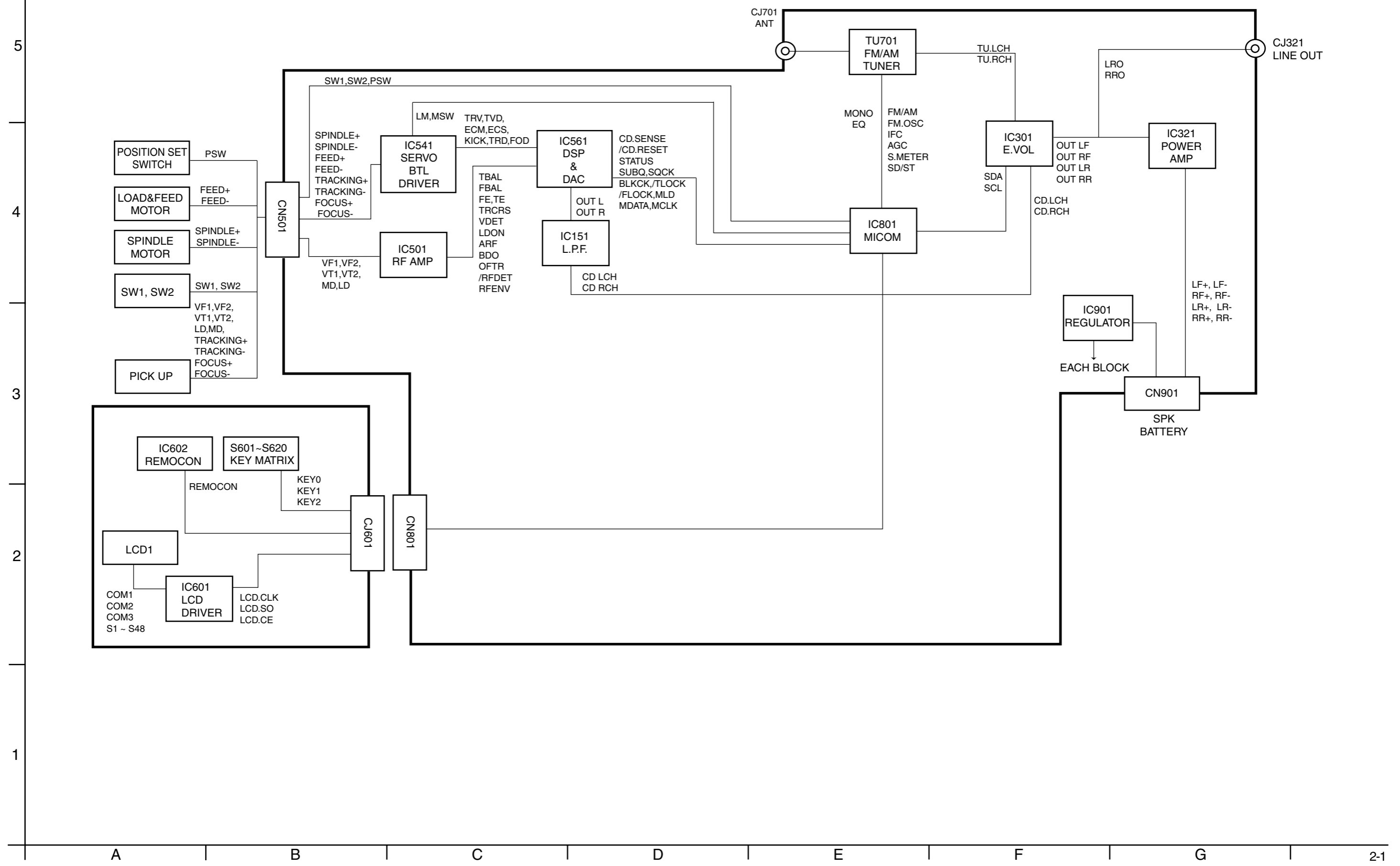
Block diagram .....	2-1
Standard schematic diagrams .....	2-2
Printed circuit boards .....	2-5,6

## Safety precaution

 **CAUTION** Burrs formed during molding may be left over on some parts of the chassis. Therefore, pay attention to such burrs in the case of performing repair of this system.

 **CAUTION** Please use enough caution not to see the beam directly or touch it in case of an adjustment or operation check.

# Block diagram





# Standard schematic diagrams

## Main amplifier section

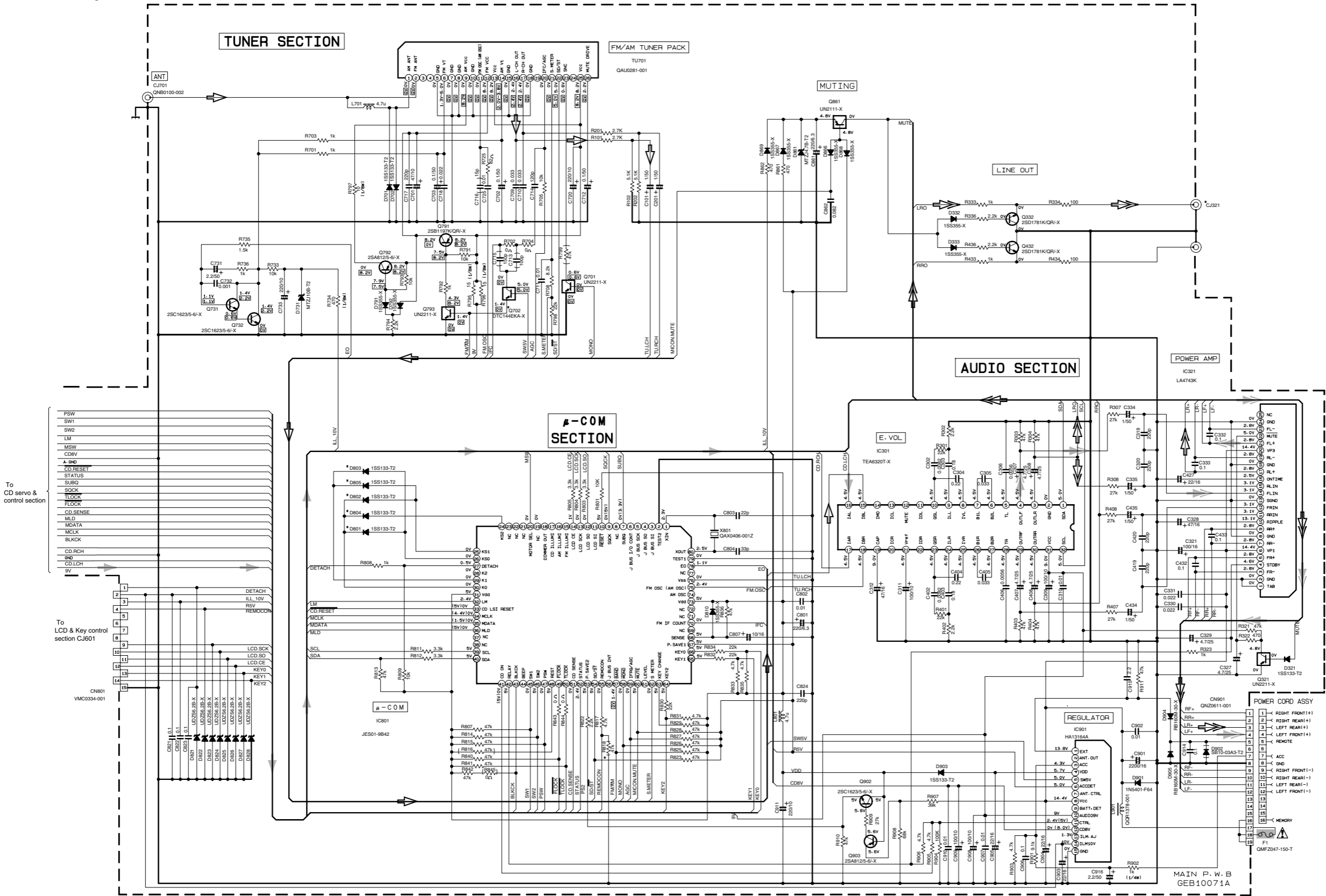
5

4

3

2

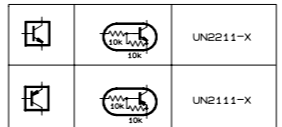
1



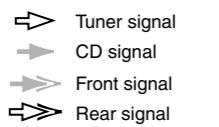
REMARKS	COMPONENT	VALUE / PART NUMBER
	DB01	NOT USED
	DB04	NOT USED
	DB03 DB03 DB05	NOT USED
	Q702 C713 C715	NOT USED
	RB18	NOT USED FOR KD-S6350J
	CJ321	QNN053-001 FOR KD-S6350J QNN0519-001 FOR KD-S590J

NOTES:

- VOLTAGE ARE DC-MEASURED WITH A DIGITAL VOLT-METER WITHOUT INPUT SIGNAL CONDITION.  
—FM—AM MODE. ( ) CD MODE!
- UNLESS OTHERWISE SPECIFIED:  
ALL RESISTOR ARE 1/16W ±5% METAL GLAZE RESISTOR.  
ALL CAPACITOR ARE 50V OR 50V CERAMIC CAPACITOR.  
ALL RESISTANCE VALUES ARE IN OHM.  
ALL CAPACITANCE VALUES ARE IN UF (μF).  
ALL E. CAPACITORS ARE SHOWN IN THE FORM OF CAPACITANCE (UF)/RATED VOLTAGE (V)

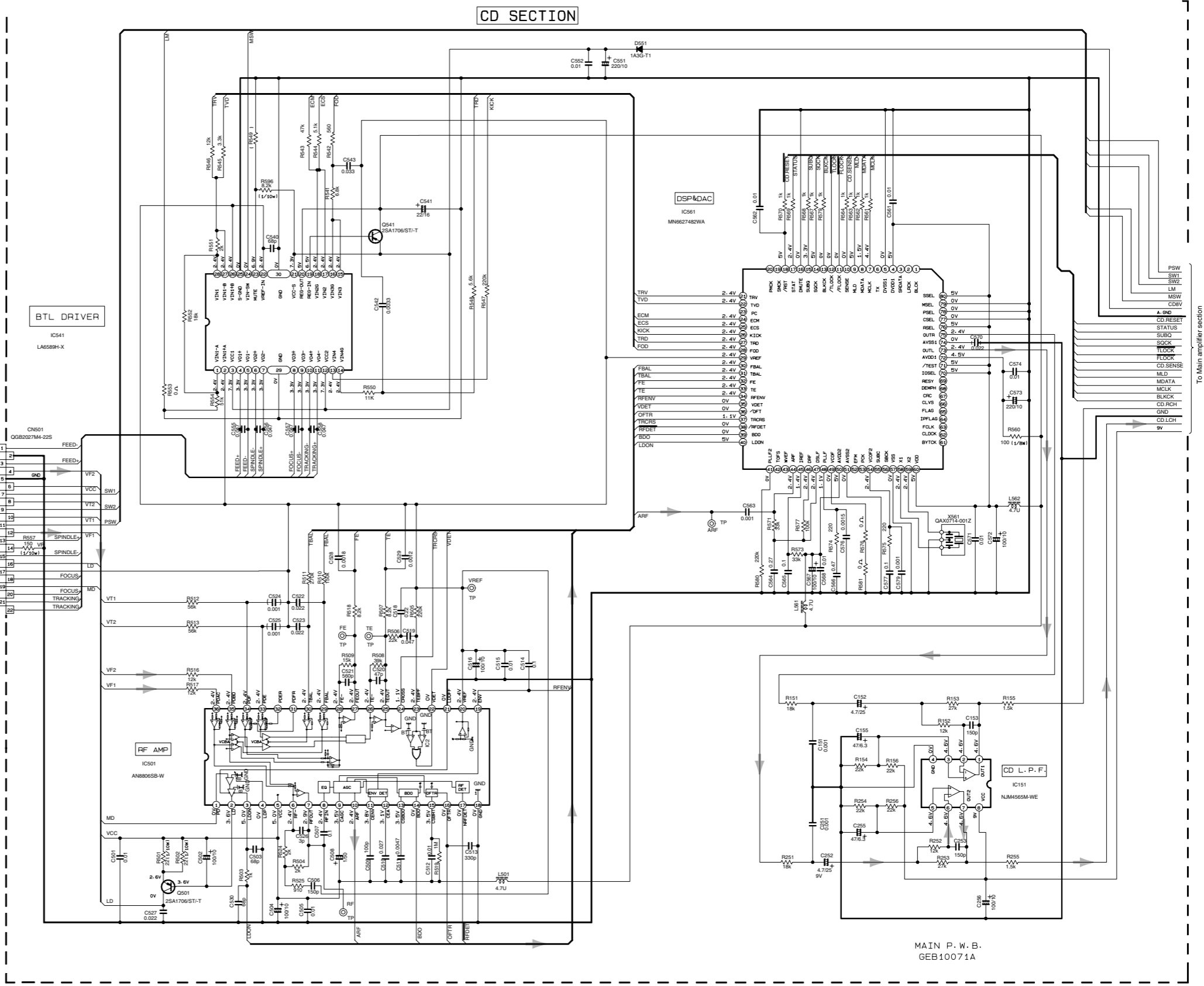
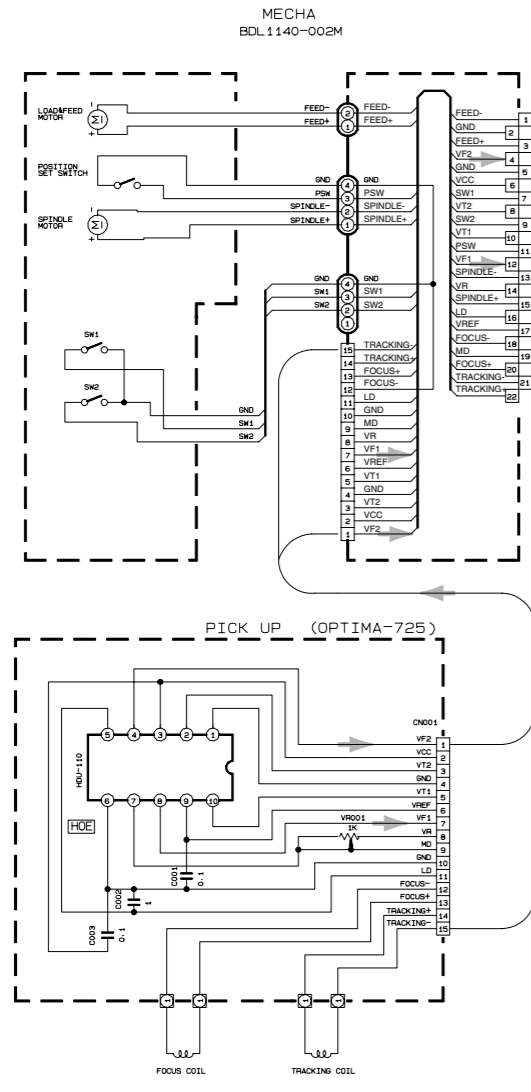


⚠ Parts are safety assurance parts. When replacing those parts make sure to use the specified one.



CD servo control section

5  
4  
3  
2  
1



NOTE \* 1. VOLTAGE ARE DC-MEASURED WITH DIGITAL VOLT-METER WITHOUT INPUT SIGNAL CONDITION  
 --- CD MODE  
 2. UNLESS OTHERWISE SPECIFIED:  
 ALL RESISTORS ARE 1/16W±5% METAL GLAZE RESISTOR.  
 ALL CAPACITORS ARE 50V OR 25V CERAMIC CAPACITOR.  
 ALL RESISTANCE VALUES ARE IN OHM.  
 ALL CAPACITANCE VALUES ARE IN μF(±5%).  
 ALL E. CAPACITORS ARE SHOWN IN THE FORM OF CAPACITANCE(μF) / RATED VOLTAGE(V)

➔ CD signal

To Main amplifier section

MAIN P.W.B. GEB10071A

■ LCD & Key control section

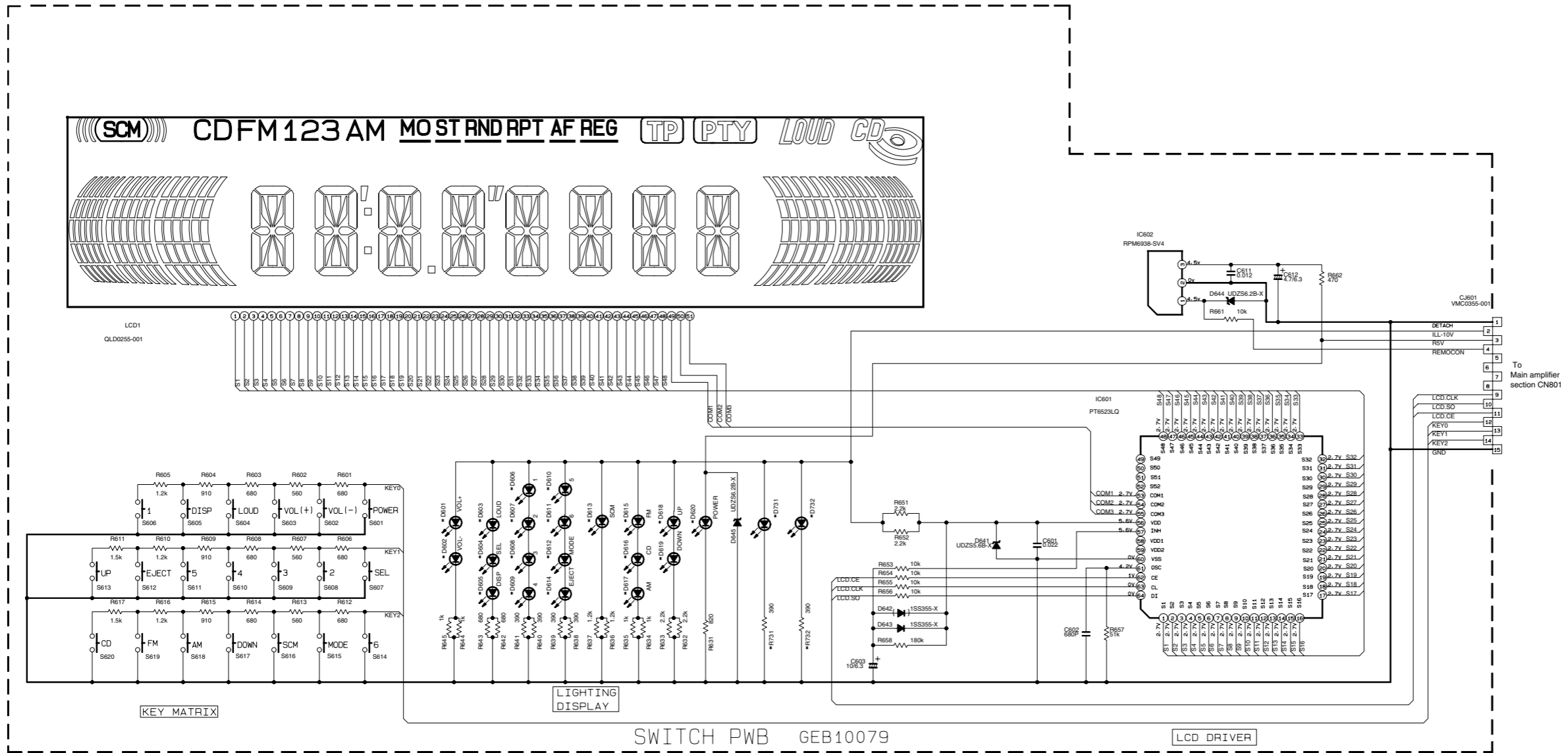
5

4

3

2

1



FRONT CIRCUIT BOARD SECTION

REMARKS	D731 D732	NSPW310BS/B2RS/
	D601 - D612	SML-310VT/K/-X
	D614 - D619	SM-310LT/MV/-X
	D620	SM-310LT/MV/-X
	D613	LT1P67AF-W
	S601 - S620	NSW0066-001X
	R731 R732	NRG181J-681X

- NOTES
1. VOLTAGES ARE DC-MEASURED WITH A DIGITAL VOLT METER WITHOUT INPUT SIGNAL.
  2. UNLESS OTHERWISE SPECIFIED, ALL RESISTORS ARE 1/16W ±5% METAL GLAZE RESISTOR. ALL CAPACITORS ARE 50V OR 25V CERAMIC CAPACITOR. ALL RESISTANCE VALUES ARE IN OHM. ALL CAPACITANCE VALUES ARE IN UF (PPF). ALL E. CAPACITORS ARE SHOWN IN THE FORM OF CAPACITANCE (UF/RATED VOLTAGE(V)).

A

B

C

24

D

E

F

G

H

# Printed circuit boards

## ■ Main board

5

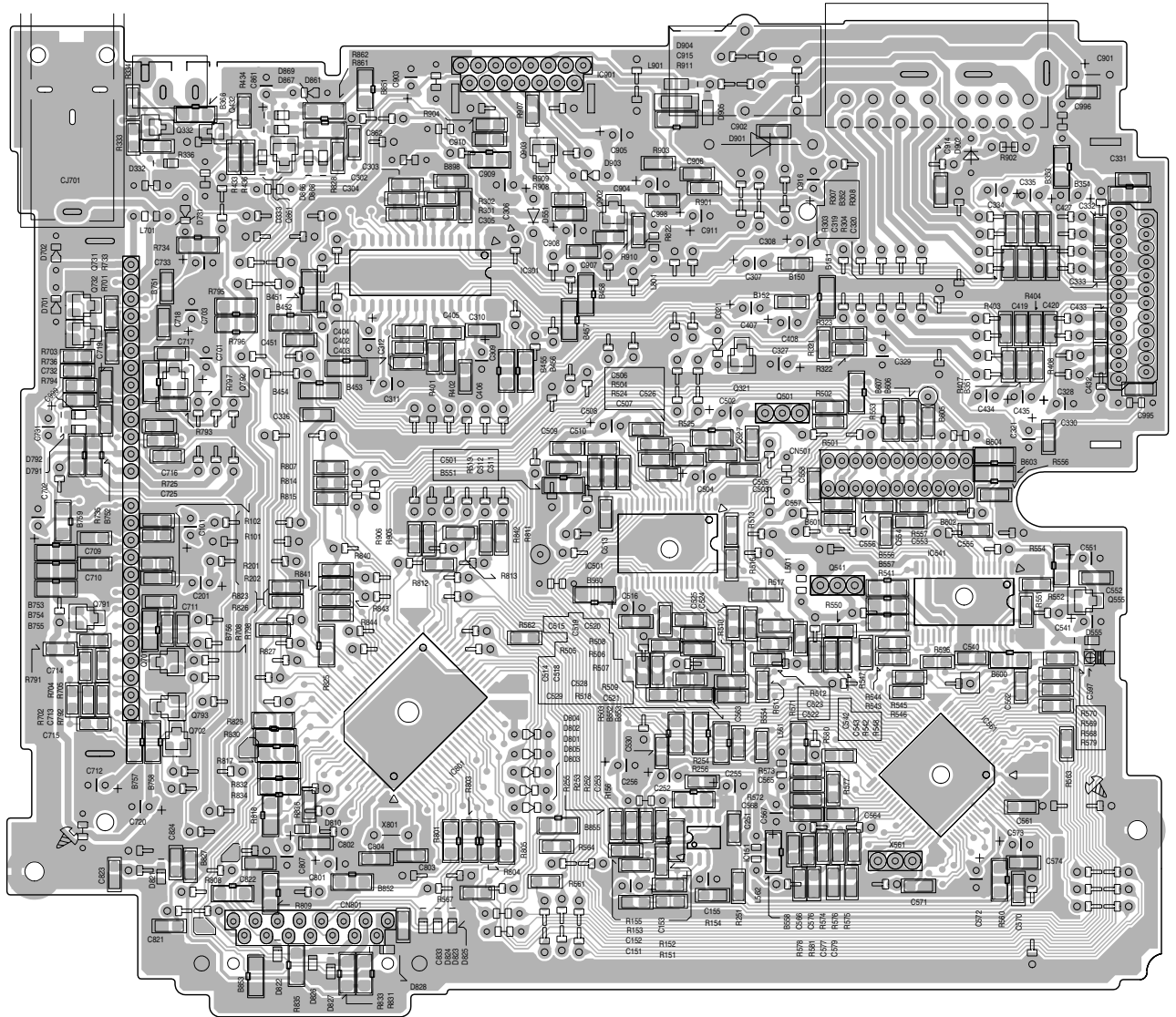
Reverse side

4

3

2

1



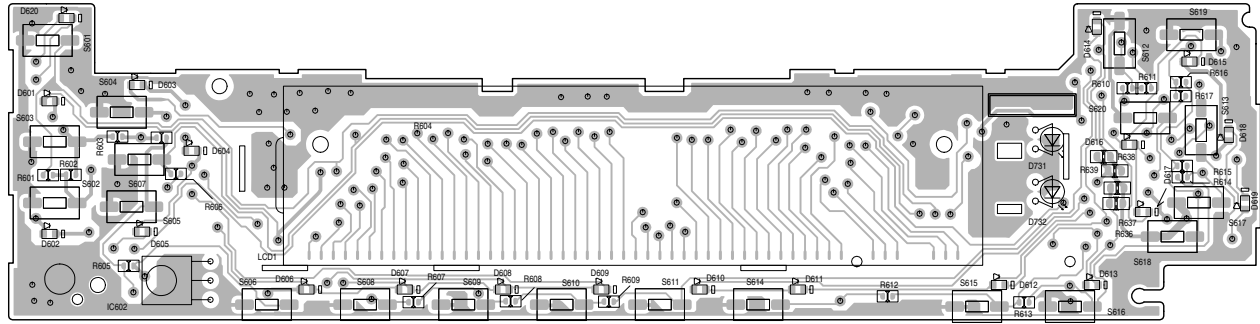
A

B

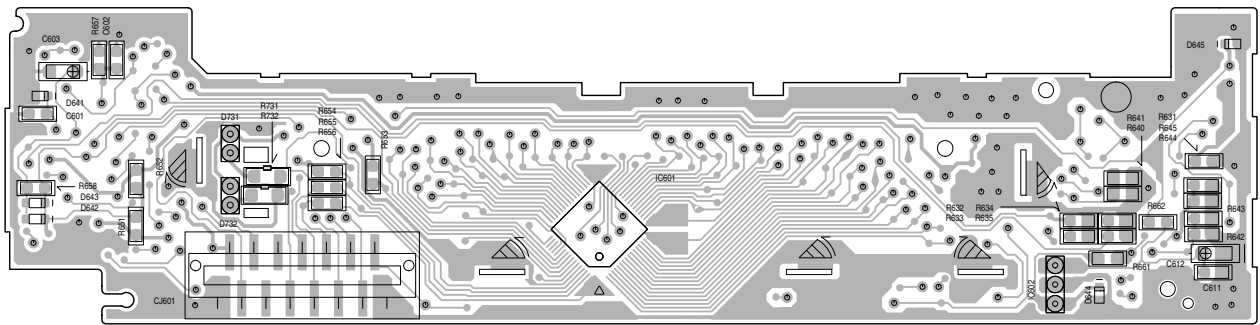
C

■ Front board

Forward side



Reverse side



5

4

3

2

1

< M E M O >

**KD-S6350**

**JVC**

**VICTOR COMPANY OF JAPAN, LIMITED**

AV & MULTIMEDIA COMPANY 10-1, 1Chome, Ohwatari-machi, Maebashi-city, 371-8543, Japan

(No.49766SCH)



Printed in Japan  
2003/01